

### DESCRIPTION

- Brass construction with chrome plated finish
- 8" widespread
- 1/2" IPS connections
- 5-1/4" spout reach

### OPERATION

- 4" wrist blade handles with hot and cold color indicators\*  
\*Smooth handle models have hot and cold color indicator at torx head screw
- Vandal resistant torx head screws

### FLOW

- Water usage is limited to these maximum flow rates as indicated by the corresponding product markings

### CARTRIDGE

- Brass shell, ceramic disc cartridge
- 1/4 turn operation

### STANDARDS

- Third party certified to meet A112.18.1/CSA B125.1 and all applicable specifications referenced therein
- Certified to NSF 61/9 & 372
- Complies with California Proposition 65 and with the Federal Safe Drinking Water Act

- **ADA** for lever handles

### WARRANTY

- Warranted for 5 years against material or manufacturing defects

## Two-Handle Bar/Pantry Faucet with Spout

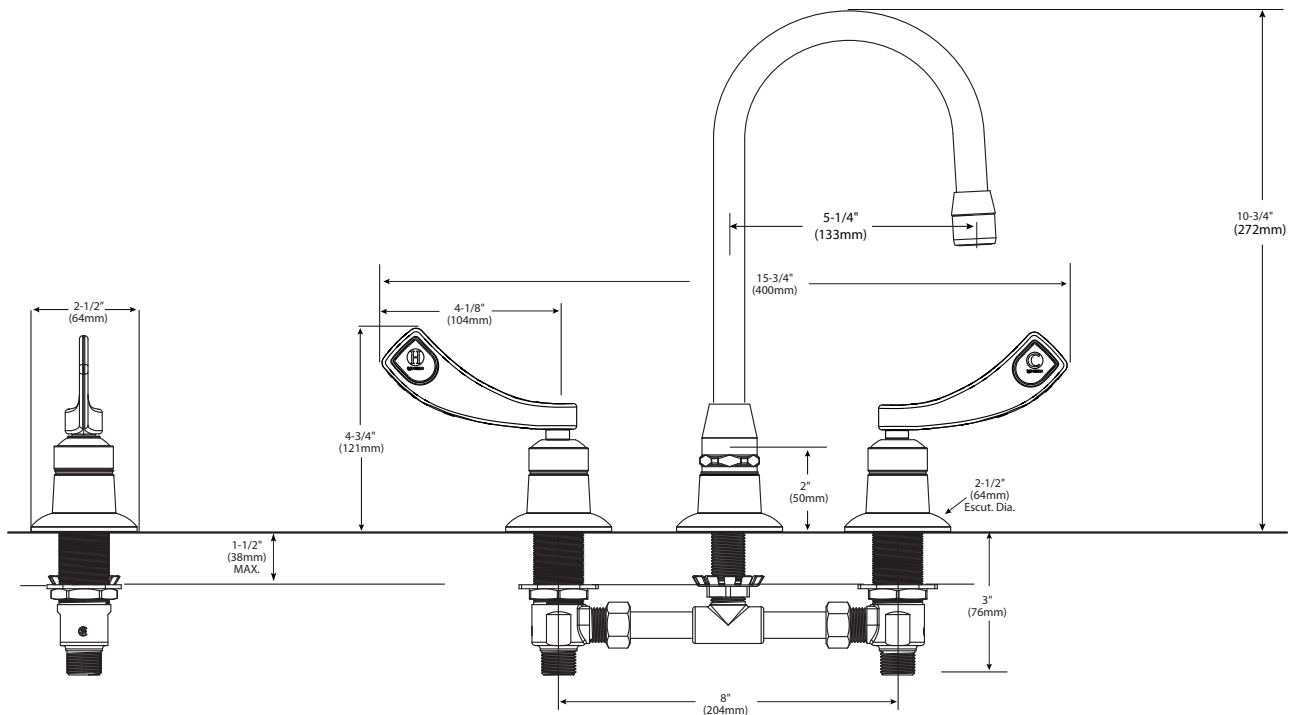
MODEL	FLOW (gpm/Lpm)	HANDLE STYLE
❖ 8248	1.2/4.5	Decal
◆ 8248SM	2.2/8.3	Smooth
❖ 8248SMF12	1.2/4.5	Smooth

◆ Includes optional 2.0 gpm (7.6 L/min) max. laminar flow spout base conversion kit

❖ Includes optional 1.2 gpm (4.5 L/min) max. laminar flow spout base conversion kit



**NOTE:** Designed to be installed through 3 holes – 1-9/32" min. dia.



## CRITICAL DIMENSIONS

(DO NOT SCALE)